

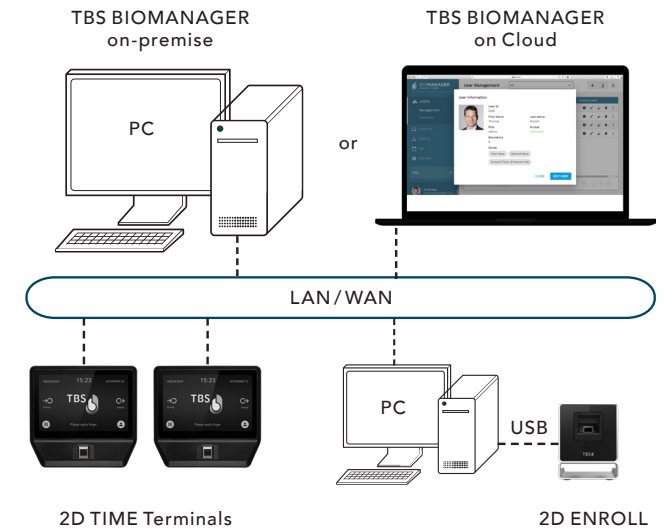
tbs-biometrics.com

## TOUCH FINGERPRINTING

# 2D TIME

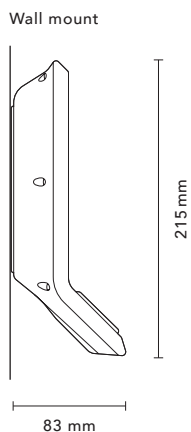
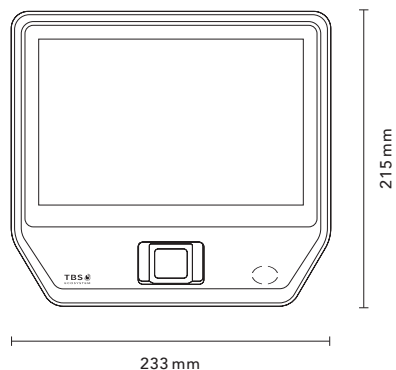
Touch-based biometric terminal ideal for workforce management applications thanks to its 9" touchscreen, customization options, and communication versatility.

- Capacitive touch sensor
- Excellent identification performance
- Large 9" screen can display many functional buttons for T&A and entire process workflows
- Network-capable via LAN, Wifi, 4G SIM card module
- Identification or verification with PIN
- Small and medium-sized user groups
- Wall mount including wall mount bracket
- Indoor installation
- Personalizable touchscreen
- User-friendly operation and configuration
- Customer-specific modifications
- Including power supply 12 VDC and mains cable





## 2D TIME



- 1 = MIFARE Classic/DESFire only
- 2 = Extendable by license. Figure indicates single fingerprints, iris pairs or hands
- 3 = Supported bands:  
LTE FDD: B1/B3/B7/B8/B20/B28A  
WCDMA: B1/B8, GSM: B3/B8
- 4 = Either/or, selectable by switch
- 5 = Direct sunlight must be avoided
- 6 = Indoor use only
- 7 = Required if not sheltered
- (\*) = Optional, requires HW accessory or license

		3D FLY	3D AIR (22)	3D FLASH+	3D LIGHT (23)	2D IRON HEAVY DUTY	2D IRON	2D SENSE	2D TIME	2D MOVE	TBS EDGE
Applications	Access Control	•	•	•	•	•	•	•			•
	Time & Attendance, Workforce Management	•	•	•	•	•	•	•	•	•	
Sensors	Touchless Hand Scanner	•									
	Touchless 3D Finger Scanner		•								
	Touchless Face Scanner			•	•						
	Touchless Iris Scanner				•						
	Finger optical multispectral					•	•				
	Finger optical (ot, optional) / capacitive (ct)			(ot)				ct	ct	ct	
	Thermal camera				(*)						
Identification	PIN	•	•	•	•	•	•	•	•	•	
Factors	RFID		(*)	•	• <sup>1</sup>	(*)	(*)	(*)		• <sup>1</sup>	
	Mobile Access (Bluetooth)		(*)			(*)	(*)				
	QR Code			(*)	(*)						
User Interface	Touchscreen size in inch	7.0	5.0	8.0	5.0	5.0	5.0	3.5	9.0	7.0	
	Loudspeaker	•	•	•	•	•	•				
	Beeper							•			
Biometrics	Identification (1:N), database size limit <sup>2</sup>	10'000	10'000	10'000	10'000	10'000	10'000	5'000	5'000	5'000	special
	Verification (1:1), database size limit	100'000	100'000	100'000	100'000	100'000	100'000	100'000	100'000	100'000	special
	FRR at FAR 1:100'000	<0.5%	<0.5%	<0.5%	<0.5%	<1.0%	<1.0%	<2.0%	<2.0%	<2.0%	
Communication	LAN	•	•	•	•	•	•	•	•		•
	Wifi		(*)		(*)	(*)	(*)	(*)	•	•	
	Mobile 4G <sup>3</sup>								•	•	
Interfaces	RS-232 and RS-485	•	•	•	•	•	•	• <sup>4</sup>			•
	Wiegand out	•	•	•	•	•	•	•			•
	Relay (NO/NC/COM)	2	1	2	1	1	1	1			2
	GPIN/GPOUT	2/2	2/2	2	2/0	2/2	2/2	3/1			2/2
Security	Liveness detection		(*)	•		(*)	(*)				
	Multi-level data encryption	•	•	•	•	•	•	•	•	•	•
	Template on card		(*)			(*)	(*)	(*)			
	Tamper Switch		•	•	•	•	•	(*)			
Installation	Input supply voltage DC	24	12-24	15-24	12-24	12-24	12-24	12-24	12	USB	12-24
	Max. power rating in W	100	18	23	16	10	10	5	10		15
	Power over Ethernet		•			•	•				
	Operating temperature in °C <sup>5</sup>	0 to 45	-20 to 60	-20 to 60	0 to 45	-20 to 60	-20 to 60	-20 to 60	0 to 35	0 to 35	0 to 45
Mounting	Wall mount WM-Box <sup>6</sup>		IP20	IP54	IP30		IP20	IP20	IP30	(*)	•
	Wall mount HD-Box		IP54			IP65					
	Flush mount FM-Box		IP54				IP54	IP54			
	Outdoor protection kit <sup>7</sup>		(*)				(*)	(*)			
Certifications	CE	•	•	•	•	•	•	•	•	•	•
	FCC/IC	•	•	•	•	•	•	•			•
	UL 294		•			•	•				

Touchless Biometric Systems AG  
 Rietbrunnen 2  
 8808 Pfaeffikon SZ, Switzerland  
 tbs@tbs-biometrics.com  
 www.tbs-biometrics.com